

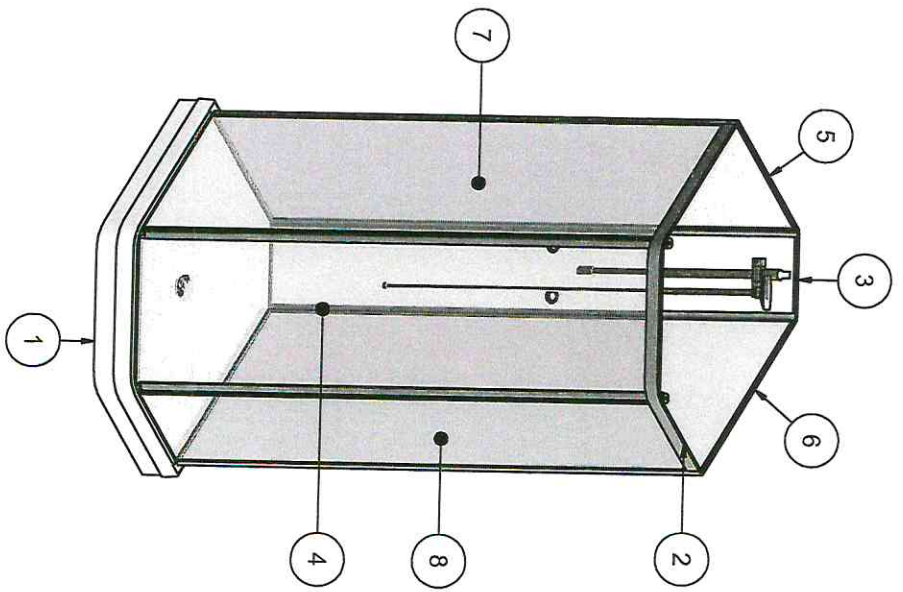
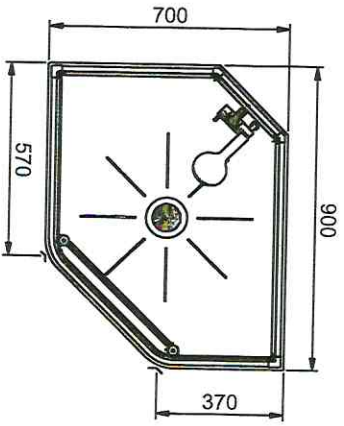
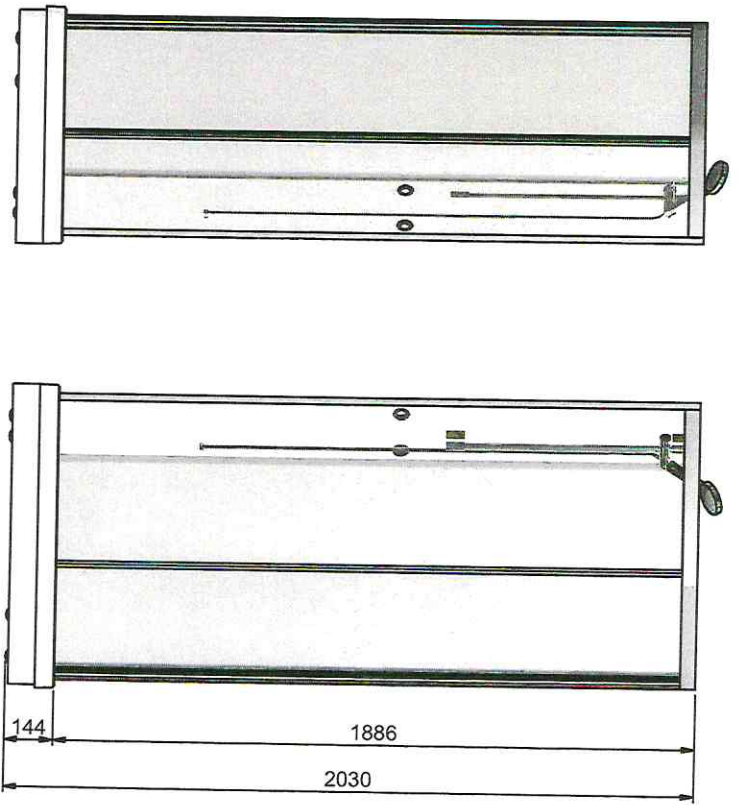
Item	Qty	Drawing/part	Rev	Description
8	1	22617	B	Frontwall, 900, Right
7	1	22616	B	Frontwall, 900, Left
6	1	22613	A	Backwall, 900, Right
5	1	22612	A	Backwall, 900, Left
4	1	22610	B	Door
3	1	22611	B	Showerpanel
2	1	22690	A	Top profil, 900x900
1	1	22604	C	Tray, 900x900



Showercabin 900x900

Designed by
RPN
Date
2015-12-08

Drawing no.
22601.01
Revision
D



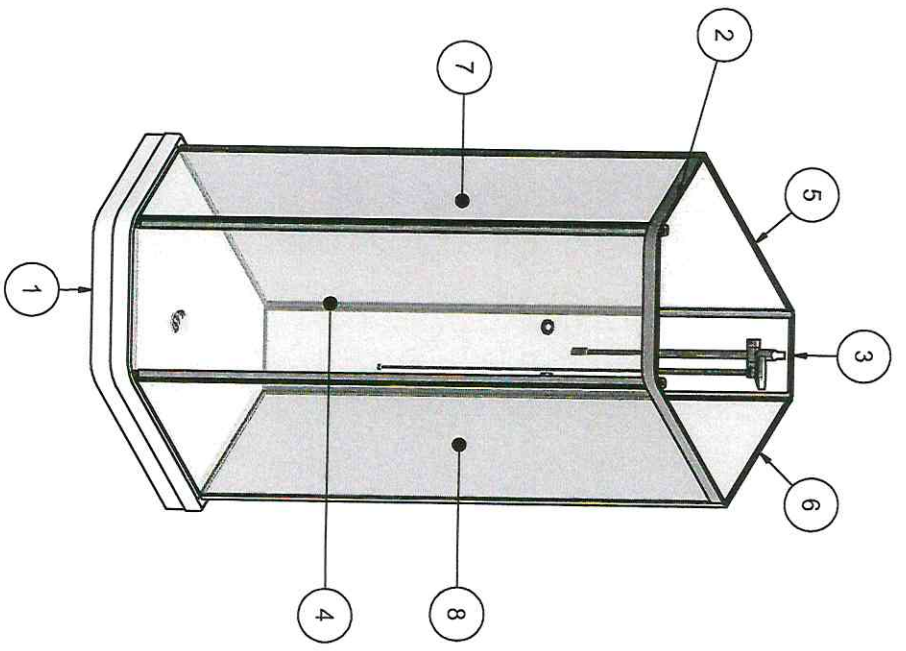
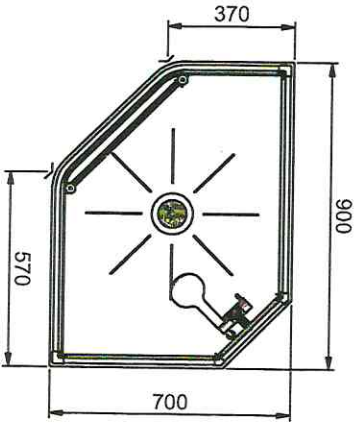
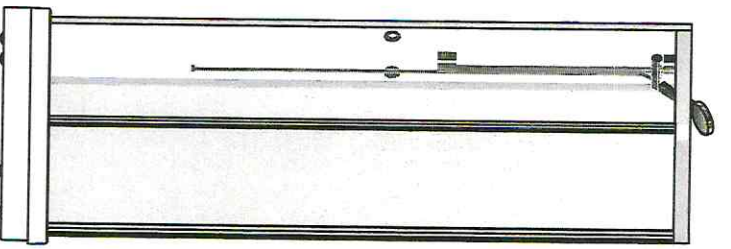
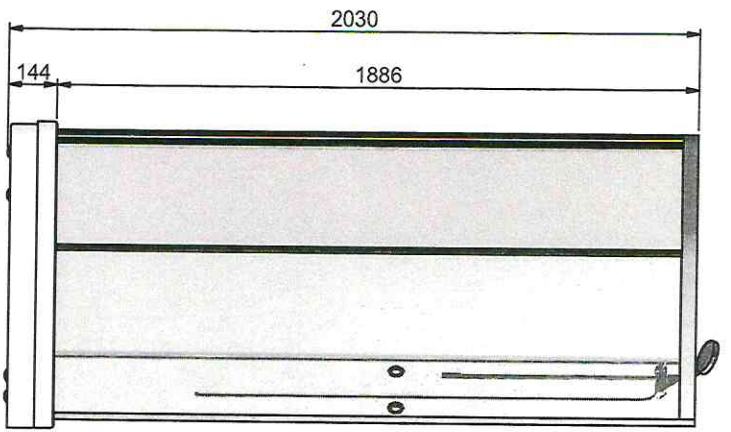
Item	Qty	Drawing/part	Rev	Description
8	1	22619	B	Frontwall, 700, Right
7	1	22616	B	Frontwall, 900, Left
6	1	22613	A	Backwall, 900, Right
5	1	22614	A	Backwall, 700, Left
4	1	22610	B	Door
3	1	22611	B	Showerpanel
2	1	22691	A	Top profil, 700x900, Left
1	1	22605	C	Tray, 700x900, Left



Showercabin, 700x900, Left model

Designed by
RPN
Date
2015-12-08

Drawing no
22602.01
Revision
D



Item	Qty	Description	Rev
8	1	22617	B
7	1	22618	B
6	1	22615	A
5	1	22612	A
4	1	22610	B
3	1	22611	B
2	1	22692	A
1	1	22606	C

INT
 Showercabin, 700x900, Right model

Designed by: RPN
 Date: 2015-12-08
 Drawing no: 22603.01
 Revision: D